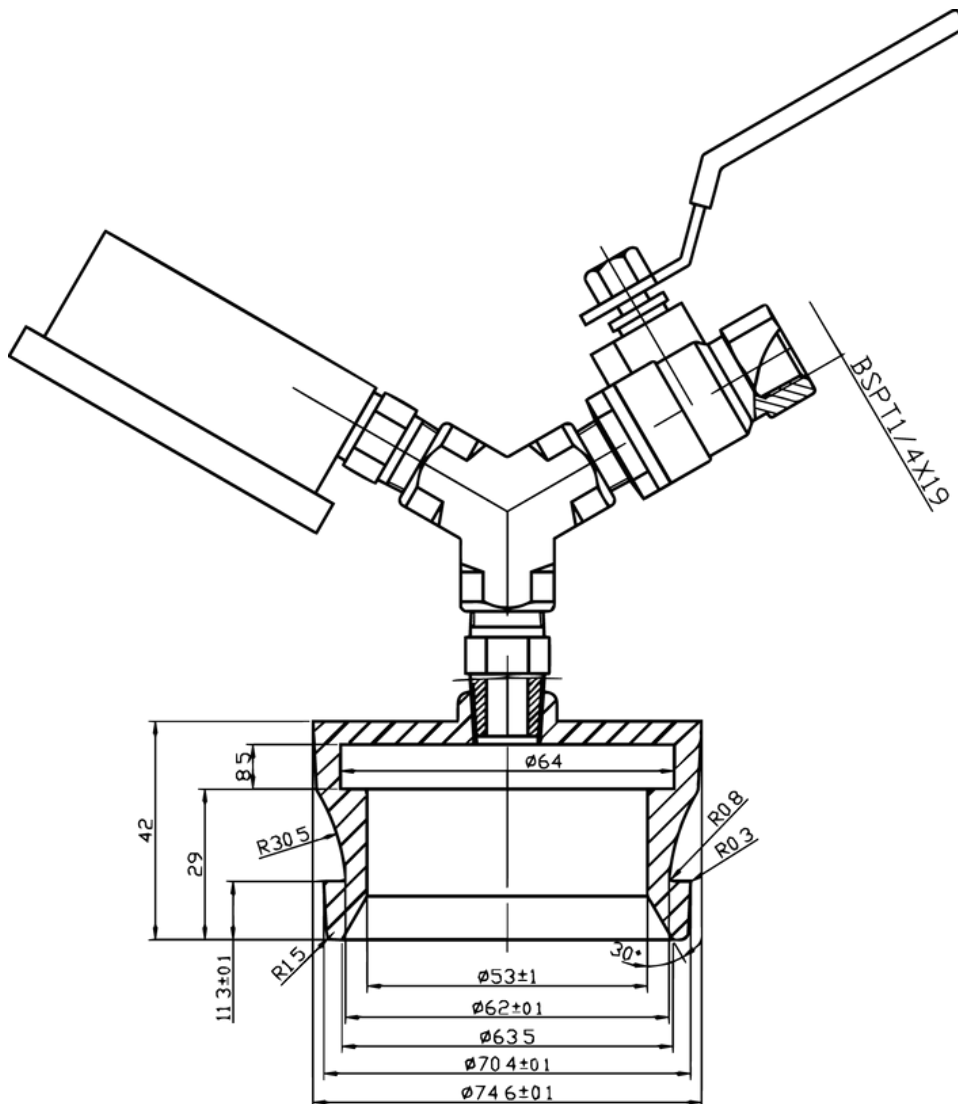


STATIC HYDRANT PRESSURE TESTER - BIC

TECHNICAL DATA SHEET



Part Number	HSPHTBIC
Box Quantity	3
Construction	Brass
Pressure	Up to 1600 kPa (230psi)
Adaptor	BIC
Ball Valve Thread Size	1/4" BSP