

SONF1 Alarm Horn Sounder

The SONF1 is a compact, high output, 103dB(A) alarm sounder. Low current consumption and high SPL in a robust fire retardant housing ensure it is suitable for general signalling applications including fire, security and process control.

Sonora range offers compact audio visual signaling for fire, industrial, process control and machine safety applications. The range features low current consumption combined with high performance. The SONF1 is available with two levels of sound level output and is CPR compliant, tested to EN54-3 for fire alarm use.

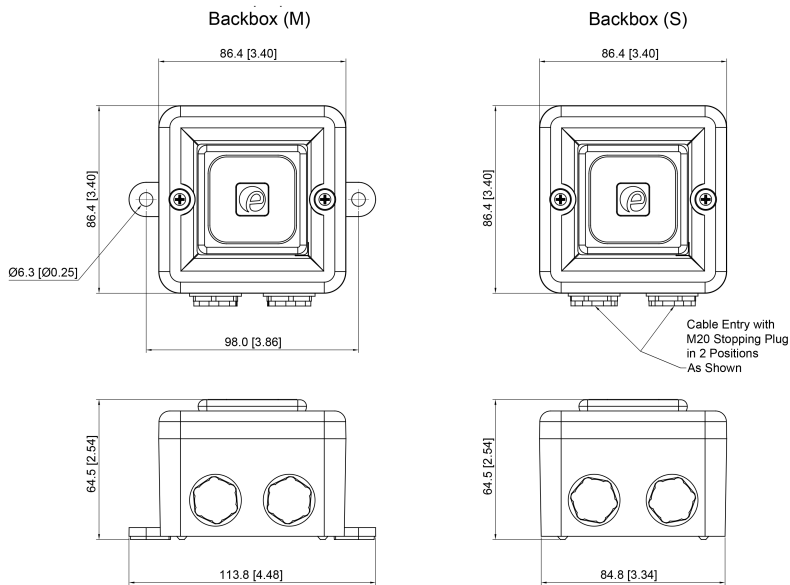
Features

- Automatic synchronisation
- Continuously rated
- Back box options with and without mounting lugs
- Dual M20, 1/2"NPT clearance cable entries option
- Duplicate cable terminations
- Ingress protection IP66 Type 3R/13
- 10 alarm tone frequencies with second remotely activated alarm stage
- Available with custom tone configurations and frequencies
- Diode polarized for use in supervised circuits

Approvals

- UL: UL464A
- cUL: CSA C22.2 No. 205 - M1983
- VdS CPR: (EN54-3) 0786-CPD-20191
- MED 2020/1170: MEDB00001EH
- CSFM listing: 7135-2279:0511
- EAC CU TR 043/2017: B.00291/21
- EAC: RU D-GB.GA05.B.12595-20
- RMRS Marine: No. 19.00193.278
- CE, UKCA





Specification

| | |
|---------------------|--|
| Maximum output: | 103dB(A) @ 1 m ±3dB [94dB(A) @ 10ft/3m ±3dB] |
| Nominal output: | 101dB(A) @ 1m ±3dB [92dB(A) @ 10ft/3m ±3dB] |
| No. of tones: | 10 (UK00A / PFEER compliant) |
| No. of stages: | 2 (AC voltage variants 1 stage) |
| Volume control: | -12dB(A) tone dependent |
| Effective range: | 38m/124ft @ 1KHz |
| Voltages DC: | 24V dc (10-30V dc) MED version: 20-30V dc |
| Voltages AC: | 24V ac; 115V ac; 230V ac |
| Stage switching: | Negative (common positive) |
| Ingress protection: | IP66 Type 3R/13 |
| Enclosure material: | High impact UL94 V0 & 5VA FR ABS |
| Enclosure colour: | Red (RAL3000), Grey (RAL7038) & White |
| Cable entries: | 2 x M20, 1/2"NPT clearance cable entries with blanking plugs |
| Terminals: | 0.5 - 1.5mm ² (22-16 AWG) |
| Line monitoring: | Diode polarized for use in supervised circuits |
| Operating: | -40 to +55°C [-40° to +131°F] |
| Storage: | -40 to +70°C [-40° to +158°F] |
| Relative humidity: | 90% at 20°C [68°F] 95% with additional tropicalisation |
| Vibration test: | 35Hz for a duration 4Hr (UL464A) |
| Jarring test: | 3ft/lb Energy (UL464A) |
| Impact test: | 3x 5lb (UL464A) |
| MTBF DC: | 306 years / 2,684,563 hours - MIL 217 |
| MTBF AC: | 329 years / 2,886,002 hours - MIL 217 |
| Weight: | 0.30kg / 0.66lbs |

Part Codes

| Variable: | Identifier: | Description: |
|-----------------------------|-------------|---|
| Product type: | SONF1 | Alarm horn sounder |
| Voltage: | DC024 | 24Vdc (10-30Vdc) |
| | AC024 | 24Vac 50/60Hz |
| | AC115 | 115Vac 50/60Hz |
| | AC230 | 230Vac 50/60Hz |
| Back box/cable entries: [e] | M | Back box with mounting lugs - 2 x M20/1/2"NPT clearance |
| | S | Back box without mounting lugs - 2 x M20, 1/2"NPT clearance |
| Stopping plug material: [m] | A | ABS |
| Equip. tag/Duty label: [s] | 0 | No equip. tag or Duty label |
| | 1 | 316 (A4) St/St Equip. tag/Duty label |
| | 2 | Metalised Polyester Equip. tag/Duty label |
| Product version: [v] | A | UL/cUL, CPR, RMRS, EAC, CE, UKCA |
| | M | MED, CPR, RMRS, EAC, CE, UKCA |
| Product option: [o] | 1 | Standard product |
| | X | Custom configuration - contact E2S |
| | Z | Custom alarm tone software - contact E2S |
| Enclosure: [x] | R | Red (RAL 3000) |
| | G | Grey (RAL7038) |
| | W | White |

Current Consumption

| Product Version: | Nominal Voltage: | Voltage Range: | Current Consumption: |
|------------------|------------------|----------------|----------------------|
| DC024 | 24Vdc | 10-30Vdc | 25mA |
| AC024 | 24Vac | ±10% 50/60Hz | 40mA |
| AC115 | 115Vac | ±10% 50/60Hz | 13mA |
| AC230 | 230Vac | ±10% 50/60Hz | 13mA |

Tone table

S 1 Description

| | | S 1 |
|------|---|------|
| T 1 | 800/1000Hz @ 0.25 sec Alternating | T 8 |
| T 2 | 500/1200Hz @ 0.3Hz 0.5 sec Slow Whoop | T 1 |
| T 3 | 1200/500Hz @ 1Hz - DIN / PFEER P.T.A.P. | T 8 |
| T 4 | 544Hz (100mS)/440Hz (400mS) - NF S 32-001 | T 9 |
| T 5 | Bell | T 1 |
| T 6 | 800/1000Hz @ 7Hz Sweeping | T 8 |
| T 7 | 500-1200Hz 3.75sec /0.25sec. Australian Evac. | T 10 |
| T 8 | 1000Hz Continuous - PFEER Toxic Gas | |
| T 9 | Continuous 554Hz | |
| T 10 | 420Hz @ 0.625 sec Australian Alert | |

S1 Frequency Description (AC version)

| | |
|------|---|
| T 1 | 800/1000Hz @ 0.25 sec Alternating |
| T 2 | 500/1200Hz @ 0.3Hz 0.5 sec Slow Whoop |
| T 3 | 1200/500Hz @ 1Hz - DIN / PFEER P.T.A.P. |
| T 4 | 544Hz (100mS)/440Hz (400mS) - NF S 32-001 |
| T 5 | 1000Hz Continuous - PFEER Toxic Gas |
| T 6 | Bell |
| T 7 | 800/1000Hz @ 7Hz Sweeping |
| T 8 | 2400/2900Hz @ 50Hz Sweeping |
| T 9 | 420Hz @ 0.625 sec Australian Alert |
| T 10 | 500-1200Hz 3.75sec /0.25sec. Australian Evac. |